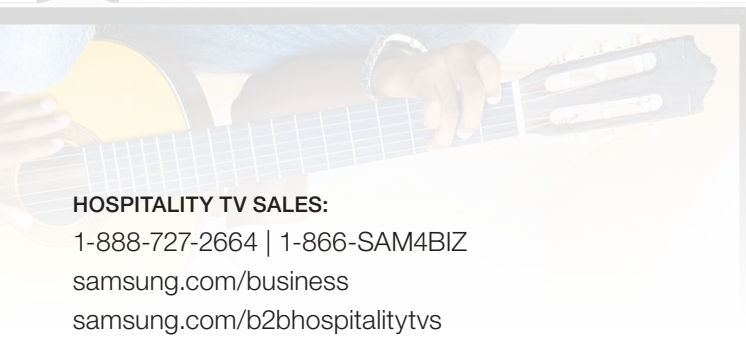




Premium At-Home, In-Room Entertainment Experience in Every Room



HOSPITALITY TV SALES:
1-888-727-2664 | 1-866-SAM4BIZ
samsung.com/business
samsung.com/b2bhospitalitytvs

FOLLOW US:

 [youtube.com/samsungbizusa](https://www.youtube.com/samsungbizusa)
 [@SamsungBizUSA](https://twitter.com/SamsungBizUSA)

40" Class LED	HG40ND678DF
48" Class LED	HG48ND678DF
55" Class LED	HG55ND678EF



678 Series Hospitality TVs

Affordable, Slim, Direct-Lit LED LCD TVs with built-in b-lan SONIFI™ Integration

The world leader in flat panel technology once again delivers an amazing viewing experience to your guests. The Samsung 678 Series is designed to deliver the premium entertainment experience that today's guests expect. Available in 40", 48" and 55" sizes, they feature direct-lit LED technology, for stunning Samsung picture quality with a cost of entry similar to that of CCFL back-lit TVs. LED also uses up to 50% less energy, helping you conserve and save money. Content management is made simple with the Samsung REACH 3.1 management solution. And Samsung's LYNK DRM and Pro:Idiom™ DRM technologies protect content, while offering guests a seamless, superior viewing experience.

Key Features

Slim Direct-Lit LED Technology

Direct-lit LED technology provides the brilliance and energy savings advantages of LED technology, along with the uniform brightness typical of CCFL displays. And it does it all with an efficiency that makes it a more affordable technology. In fact, it's possible to upgrade your rooms to LED technology for a cost comparable to CCFL technology.

Samsung LYNK™ HD Content Decryption

Samsung's software-based DRM technology is integrated into the entire Samsung 2015 Hotel TV line. Samsung LYNK offers a robust solution to unlock premium HDTV content from content providers such as cable, satellite and VOD providers, with maximum efficiency and security.

Pro:Idiom™ HD Content Decryption DRM

The 678 Series is equipped with Pro:Idiom™ MPEG4 technology, making the TVs compatible with most major VOD/PPV systems. You can offer your guests premium HDTV content from cable, satellite or video-on-demand services with no optional cards or external box needed.

b-LAN™ (SONIFI™ Integration)

Broadband Local Area Network (b-LAN™) integrates SONIFI technology that allows televisions to work right out of the box in the SONIFI system without any need for terminals or cards.

Samsung LYNK™ REACH 3.1 Content Management Solution

The Samsung REACH 3.1 (Remote Enhanced Active Control for Hotels) Management Solution is used in conjunction with an existing coaxial-based infrastructure. It provides centralized TV controls, basic static content management capabilities and an Interactive Program Guide (IPG). Property management will be able to easily update and change information using a Windows®-based system.

A Host of Features

Features include: Home Menu, RJ12 IR PASS, Volume Limiters, Rear Panel Lock-out, Menu Display Lock-out, Hotel Custom Logo/Welcome Message, Channel List Guide, Channel Re-mapping, Remote Jack Pack (RJP) Priority, USB Cloning and Anti-Theft Battery Cover Remote Control. Display pedestal stand rotates 90° in both directions with optional 20, 60 and 90 degree stops integrated in lockdown mount base.

Samsung 678 Series Hospitality TVs

Samsung Hospitality TVs are loaded with features that provide premier guest satisfaction, while making your job easier.

HOSPITALITY FEATURES

Anti-Theft Battery Cover

Battery door is secured, ensuring batteries remain in the remote controller.

b-LAN™

Broadband Local Area Network (b-LAN) integrates SONIFI technology that allows television to work right out of the box in SONIFI system without any need for terminal or cards.

Channel Remapping

Allows the hotelier to change channel and TV source to a different channel.

Clock On Timer and Alarm Key

Allows the guest to program the TV to turn on as a wake-up alarm.

Closed Captioning

A text display of all audio content, including spoken dialog and non-speech information such as the identity of the speakers and symbols for sound effects and music.

Hotel Channel List

Guest master channel listing of program content. This will display content in analog or HD.

Hotel Logo Display with Time Out Setting

Display hotel logo bitmap files as a greeting startup display.

Hotel Mode Plug & Play

Interactive stand-alone mode available.

Lockout Controls

The hotelier can enable rear panel and menu display lock-outs.

On Screen Display Language

Choose English/French/Spanish.

Picture-in-Picture

Display one program while another is being displayed on the full TV screen at the same time.

Power On Status Setting

Settings include power always on, last option or standby.

Multi-Code Remote

Eliminates interference when two or more TVs are used in close proximity to each other.

Samsung LYNK™ REACH 3.1 Content Management Solution

The Samsung LYNK™ REACH 3.1 (Remote Enhanced Active Control for Hotels) Management Solution is used in conjunction with an existing coaxial-based infrastructure. It provides centralized TV controls, basic static content management capabilities and an Interactive Program Guide (IPG). Samsung REACH 3.1 delivers, in a free-to-guest solution, content and information on such topics as your hotel, local and in-room dining, spa and exercise facilities, meetings and events, local attractions, and other simple guest convenience features. Property managers will be able to easily update and change information using a Windows®-based system.

Sleep Timer

Allows guest to set TV turn-off time in 30-minute intervals up to 180 minutes.

USB Cloning

A quick and easy way to copy the ideal settings off one television to others on the property. Saves time and helps provide a consistent viewing experience for all televisions.

CONNECTIONS

Anynet + (HDMI – CEC)

This Samsung protocol allows the user to control other HDMI devices connected to the TV display, such as DVD players, PC computers and Soundbars.

ConnectShare™ (USB 2.0)

Connect a thumb drive or digital camera quickly and easily. User-friendly interface allows access to videos, a music playlist and pictures via the remote.

Hotel TV (RJ-12/IR Pass Through)

Allows you to connect an interactive STB/SBB (Set Top Box/Set Back Box).

Hotel TV RJ45

Connection to hotel LAN using custom H-browser or Samsung LYNK SINC.

Interactive Compatibility System



Remote Jack Panel (RJP) Compatibility



PICTURE QUALITY AND AUDIO

Auto Volume Limiter

During initial product setup, minimum and maximum volume levels can be locked to help minimize disturbance to other hotel guests.

Full HD 1080p, MPEG4

Samsung 678 Series TVs feature Full HD. All TVs are also compatible with MPEG4.

Music Mode (Input: HDMI/PC/AV/Component)

Allows audio feedback when picture is muted.

Music Mode Backlight On/Off

Shows a background display.

Slim Direct-Lit LED Technology

Direct-lit LED technology provides the brilliance and energy savings advantages of LED technology, along with the uniform brightness typical of CCFL displays. And it does it all with an efficiency that makes it a more affordable technology. In fact, it's possible to upgrade your rooms to LED technology for a cost comparable to CCFL technology. When you add the energy savings of up to 50% that LED offers over CCFL, you end up with the perfect solution for both you and your guests.

Swivel Stand with Optional Stops

Samsung Hospitality Displays pedestal stand rotates with optional 20-, 60- and 90-degree stops so wherever in the room your guests are they should have an excellent view of their TV. Swivel stand includes integrated mounting plate and bolt down kit (4 bolts, 2 nuts, 2 washers).

Samsung Soundbar Compatible

Samsung Hospitality Displays enable Soundbar compatibility by supporting HDMI-CEC. When you connect the Soundbar to the Samsung Hospitality Display with an HDMI cable, the TV audio settings and menu lock feature are automatically applied, so you don't have to set up the Soundbar separately. You can also prevent guests from changing the settings. With one single remote, guests can control both the TV and Soundbar simultaneously.

WARRANTY

2-year parts and 2-year labor warranty backed by Samsung Hospitality Hotline 1-866-894-0524. Optional professional installation, accessories and extended warranty are available.

Samsung 678 Series Hospitality TVs



DIGITAL RIGHTS MANAGEMENT (DRM)

Pro:Idiom™ HD Content Decryption DRM (RF) Pro:Idiom

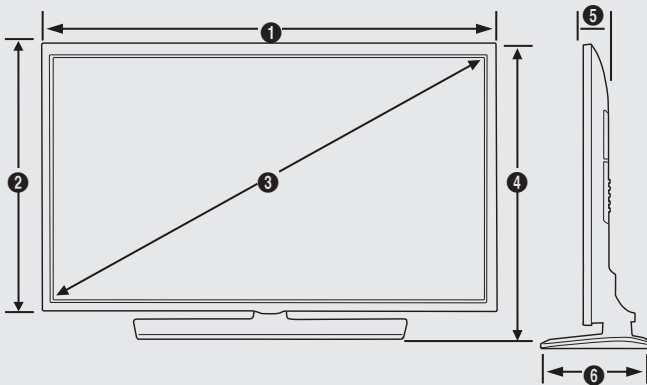
The 678 Series is equipped with Pro:Idiom™ MPEG4 technology, making the TVs compatible with most major VOD/PPV systems. You can offer your guests premium HDTV content from cable, satellite or video-on-demand services with no optional cards or external box needed.

Samsung LYNK™ HD Content Decryption DRM (RF)



Samsung's software-based DRM technology is integrated into the entire Samsung 2015 Hotel TV line. Samsung LYNK™ offers a robust solution to unlock premium HDTV content from content providers such as cable, satellite and VOD providers, with maximum efficiency and security.

Dimensions



40" | HG40ND678DF - 1080p | 5000:1 Contrast Ratio

1	2	3	4	5	6
35.7"	21.0"	40.0"	22.7"	2.6"	8.9"

48" | HG48ND678DF - 1080p | 5000:1 Contrast Ratio

1	2	3	4	5	6
42.3"	24.7"	48.0"	26.5"	2.6"	8.9"

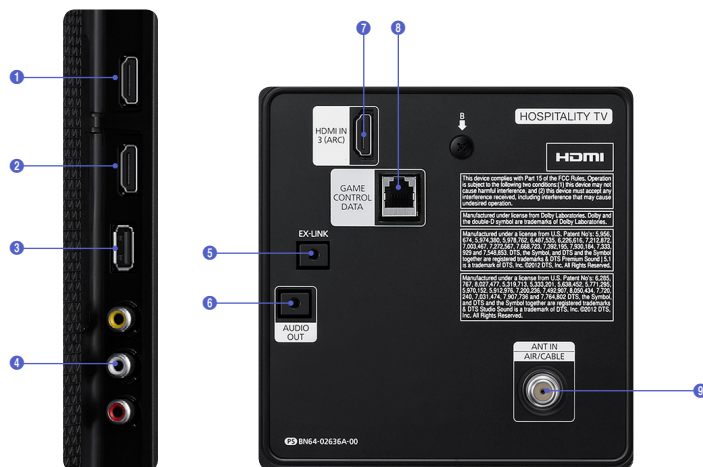
55" | HG55ND678EF - 1080p | 5000:1 Contrast Ratio

1	2	3	4	5	6
48.4"	28.2"	55.0"	30.0"	2.5"	8.9"

Connectivity

HG40ND678DF / HG48ND678DF / HG55ND678EF

- | | | |
|--------------------|--------------------|--------------------|
| 1. HDMI In 2 (DVI) | 4. Component/AV In | 7. HDMI In 3 (ARC) |
| 2. HDMI In 1 | 5. EX-Link | 8. RJ-45 |
| 3. USB | 6. Audio Out | 9. Ant In/Cable |



Samsung 678 Series Hospitality TVs Key Specifications For complete product specifications, visit samsung.com/b2bhospitalitytv

	Model Number	HG40ND678DF	HG48ND678DF	HG55ND678EF
Display	Backlight	LED	LED	LED
	Screen Size (Diagonal)	40	48	55
	HD/FHD/UHD	FHD	FHD	FHD
	Resolution	1920 x 1080	1920 x 1080	1920 x 1080
Video	Picture Engine	HyperReal	HyperReal	HyperReal
	Wide Color Enhancer Plus	Yes	Yes	Yes
	Film Mode	Yes	Yes	Yes
Audio	Dolby Digital Plus	Yes	Yes	Yes
	Virtual Surround	DTS Studio Sound	DTS Studio Sound	DTS Studio Sound
	DTS Codec	DTS Premium Sound	DTS Premium Sound	DTS Premium Sound
	Sound Output (RMS)	20W (L:10W, R:10W)	20W (L:10W, R:10W)	20W (L:10W, R:10W)
Features	Speaker Type	2CH (Down Firing + Bass Reflex)	2CH (Down Firing + Bass Reflex)	2CH (Down Firing + Bass Reflex)
	Digital Clean View	Yes	Yes	Yes
	Auto Channel Search	Yes	Yes	Yes
	Auto Power Off	Yes	Yes	Yes
	Caption (Subtitle)	Yes	Yes	Yes
	ConnectShare™ (USB 2.0)	Yes	Yes	Yes
	Sports Mode	Yes	Yes	Yes
	Channel List	Yes	Yes	Yes
	Game Mode	Yes	Yes	Yes
	OSD Language	English, Spanish, French	English, Spanish, French	English, Spanish, French
Hospitality Features	Picture-In-Picture	Yes	Yes	Yes
	Samsung LYNK™ REACH Server Compatibility	Yes	Yes	Yes
	Hospitality Home Menu	Yes	Yes	Yes
	Hospitality Plug&Play (Easy Set-up)	Yes	Yes	Yes
	Auto Source Mode	Yes	Yes	Yes
	Power On Mode	Yes	Yes	Yes
	Hotel Channel List	Yes	Yes	Yes
	Channel Setup On/Off	Yes	Yes	Yes
	Mixed Channel List (ATSC, DVB-T/T2/C/S2, Analog)	Yes	Yes	Yes
	Energy Saving Mode (BLU Control)	Yes	Yes	Yes
	Logo Display with Time Out Setting (BMP/Movie)	Yes	Yes	Yes
	Welcome Message	Yes	Yes	Yes
	RJ12 / IR Pass Through	Yes	Yes	Yes
	Clock Back Up Power Supply	Yes	Yes	Yes
	Software Clock	Yes	Yes	Yes
	Multi Code Remote Control	Yes	Yes	Yes
	Screwed Battery Cover	Yes	Yes	Yes
	Sound Bar Compatibility	Yes	Yes	Yes
	Music Mode (Input: PC/AV/Component/HDMI)	Yes	Yes	Yes
	Music Mode Backlight On/Off	Yes	Yes	Yes
	USB Cloning	Yes	Yes	Yes
	On/Off Timer (Schedule)	Yes	Yes	Yes
	Smovie Compatibility	Yes	Yes	Yes
	Wake-up Timer (Alarm)	Yes	Yes	Yes
	Samsung LYNK™ DRM	Yes	Yes	Yes
Pro:Idiom	Yes	Yes	Yes	
bLan	Yes	Yes	Yes	
Security Mode	Yes	Yes	Yes	
S/W IPG (Interactive Program Guide)	Yes	Yes	Yes	
Standby LED Color	Red	Red	Red	
Input & Output	HDMI (Side/Rear)	2/1	2/1	2/1
	USB (Side/Rear)	1/0	1/0	1/0
	Composite In (AV) (Side/Rear)	1/0	1/0	1/0
	Audio Out (Mini Jack) (Side/Rear)	0/1	0/1	0/1
	RF In (Terrestrial/Cable Input) (Side/Rear)	0/1	0/1	0/1
	RS232C	Yes (Common Use for RJ12)	Yes (Common Use for RJ12)	Yes (Common Use for RJ12)
	RJ12 (Side/Rear)	0/1	0/1	0/1
System	RJP Jack (Remote Jack Pack) (Side/Rear)	0/1	0/1	0/1
	DTV Tuner	ASTC/Clear QAM	ASTC/Clear QAM	ASTC/Clear QAM
Design	Analog Tuner	Yes	Yes	Yes
	Front Color	Black	Black	Black
	Stand Type	Square	Square	Square
Dimensions (W x H x D)	Swivel (Left/Right)	90/90	90/90	90/90
	Set Dimension with Stand (WxHxD) (mm) / (inches)	906.6 x 577.6 x 226.5 / 35.7" x 22.7" x 8.9"	1075.1 x 673.5 x 226.5 / 42.3" x 26.5" x 8.9"	1230.6 x 762.8 x 226.5 / 48.4" x 30" x 8.9"
	Set Dimension without Stand - Wall Mount Side (WxHxD) (mm) / (inches)	906.6 x 532.9 x 65.1 / 35.7" x 20.9" x 2.6"	1075.1 x 627.6 x 65.5 / 42.3" x 24.7" x 2.6"	1230.6 x 718.4 x 64.0 / 48.4" x 28.3" x 2.5"
Weight	Set Dimension without Stand - Speaker Side (WxHxD) (mm) / (inches)	906.6 x 532.9 x 65.1 / 35.7" x 20.9" x 2.6"	1075.1 x 627.6 x 65.5 / 42.3" x 24.7" x 2.6"	1230.6 x 718.4 x 64.0 / 48.4" x 28.3" x 2.5"
	Set Weight with Stand (kg) / (lbs)	10.7 / 23.6	14 / 30.9	14.6 / 32.2
	Set Weight without Stand (kg) / (lbs)	7.8 / 17.2	11.1 / 24.5	13.6 / 29.9
Power	Package Weight (kg) / (lbs)	12.3 / 27.1	17.5 / 38.6	18.8 / 41.4
	Power Supply (V) / Multi Voltage	AC110-120V 60Hz / Yes	AC110-120V 60Hz / Yes	AC110-120V 60Hz / Yes
Accessory	Remote Controller Model	TM1240	TM1240	TM1240
	Battery (for Remote Control)	Yes	Yes	Yes
	Vesa Wall Mount Support (mm)	200 x 200	400 x 400	400 x 400
	Power Cable	Yes	Yes	Yes
	Quick Install Guide	Yes	Yes	Yes
	Data Cable	No	No	No
	Stand Mount Kit	Yes	Yes	Yes
Security Screws	Yes	Yes	Yes	



For complete product information and accessories, visit samsung.com/business or samsung.com/b2bhospitalitytv
 Product Support: 1-866-SAM4BIZ | Follow Us: [youtube.com/samsungbizusa](https://www.youtube.com/samsungbizusa) | @SamsungBizUSA

SAMSUNG ELECTRONICS HAS BEEN NAMED 2015 ENERGY STAR PARTNER OF THE YEAR IN THE PRODUCT MANUFACTURING CATEGORY BY THE U.S. ENVIRONMENTAL PROTECTION AGENCY (EPA).



©2015 Samsung Electronics America, Inc. Samsung is a registered mark of Samsung Electronics Corp., Ltd. Specifications and designs are subject to change without notice. Non-metric weights and measurements are approximate. All other brand, product, service names and logos are trademarks and/or registered trademarks of their respective manufacturers and companies. Simulated screen images. See samsung.com for detailed information. Printed in the USA. HOSTV-678SERIESB2BDSHT-JUN15T