

SPA-160 • SFA-191 Ice Dispensers



Manitowoc



ONLY 22" WIDE

SPA Model

- Designed for ice bucket filling in hotels, motels, and resorts
- Ice only dispense, with coin-op and room card dispensing control options



S-Series 422 Ice Machine
SPA-160 Ice Dispenser

SFA Model

- Designed for "large" container ice filling. Accepts up to 10.5" (26.67 cm) high container
- Built-in water valve



S-Series 422 Ice Machine
SFA-191 Ice & Water Dispenser



- 120 lbs. (54.4 kgs.) ice storage capacity. Accepts 22" (55.88 cm) wide Manitowoc ice machine
- Only 22" (55.88 cm) wide, 31" (78.7 cm) deep, and 75.5" high (191.77 cm)
- Patented rocking chute dispense mechanism reduces in-flight ice and ice spillage with quick on/off activation
- Efficient built-in agitator assures 100% dispensing. Oversized drain pan collects larger quantity of ice overflow

- **Warranty**
 - 5-year parts and 5-year labor coverage on ice machine evaporator
 - 5-year parts and 3-year labor coverage on ice machine compressor
 - 3-year parts-and-labor coverage on all other ice machine and dispenser components



ISO 9001:2000
Quality System Certified

America's #1 Selling Ice Machine

Ice Cube & Flake Machines • Ice Storage Bins • Ice Dispensers

Manitowoc

Manitowoc SPA-160 • SFA-191 Ice Dispensers

SERIES 322 (115V)


24-HOUR PRODUCTION †								lbs. kgs.
AIR-COOLED UNIT				WATER-COOLED UNIT				
air temp	water temp			air temp	water temp			
°F	50°	70°	90°	°F	50°	70°	90°	
°C	10°	21°	32°	°C	10°	21°	32°	
70°	340	320	300	70°	330	310	280	
21°	154	145	136	21°	150	141	127	
80°	320	290	270	80°	320	300	280	
27°	145	132	122	27°	145	136	127	
90°	280	250	240	90°	310	290	270	
32°	127	113	108	32°	141	132	122	

†Production for dice and half dice cubes. Data is published for 60 Hz machines. 50 Hz machines produce approximately 7% less ice.

SERIES 422 (115V)

24-HOUR PRODUCTION †								lbs. kgs.
AIR-COOLED UNIT				WATER-COOLED UNIT				
air temp	water temp			air temp	water temp			
°F	50°	70°	90°	°F	50°	70°	90°	
°C	10°	21°	32°	°C	10°	21°	32°	
70°	450	420	390	70°	470	440	400	
21°	204	191	177	21°	213	200	181	
80°	430	400	370	80°	460	430	390	
27°	195	181	168	27°	209	195	177	
90°	410	380	350	90°	450	420	380	
32°	186	173	159	32°	204	191	172	

†Production for dice and half dice cubes. Data is published for 60 Hz machines. 50 Hz machines produce approximately 7% less ice.

 Certified In Accordance With ARI Ice Storage Bins Certification Program, which is based on ARI Standard 820

Note: Dispenser will accept single 22" wide ice machine. **Ice machine ordered separately.** Choose Dice or Half Dice cube size. Refer to ice machine specification sheet for electrical and complete ARI standard ratings.

Dispenser Electric: 115/60/1. (208-230/60/1 and 230/50/1 also available.)

Maximum Circuit Fuse Size: 15.0 amps. HACR-type circuit breakers can be used in place of fuses.

Dispenser Electrical Connection: 6' power cord, rated 125 VAC, 16-3 conductors with standard 3-prong, straight-blade, ground-type plug (NEMA configuration 5-15P).

Motor: 1.6 amps maximum. Permanently lubricated.

Service Access: Dispenser door removes easily to access components.

Model Options: SPA-160 push for ice rocking chute, SCA-163 coin-op and SRA-164 room card control available. To field-convert SPA-160 to SRA-164, call factory for information. SFA-191 has a water valve option.



AuCS® SO Accessory



Automatic Cleaning System purchased as an option and installed in the field.

2 Cube Sizes Available

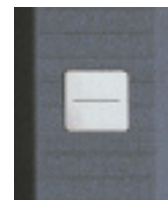


Half Dice
3/4" x 1 1/8" x 7/8"
(.95 x 2.86 x 2.22 cm)



Dice
7/8" x 7/8" x 7/8"
(2.22 x 2.22 x 2.22 cm)

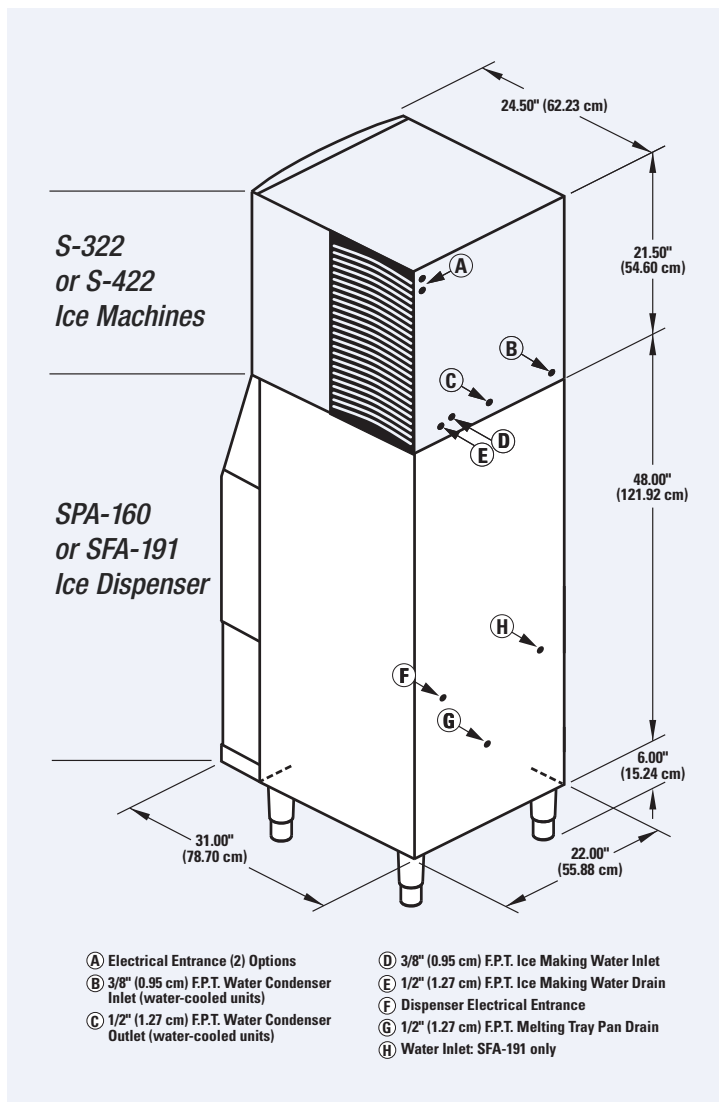
Options for SPA-160



Room Card
SRA-164



Coin-Op
SCA-163
25-cent
coin standard.



Installation Note - Dispensers have no minimum clearance, when installing an ice machine/dispenser combination follow the clearance requirements for the ice machine being installed.



Look for the EnergyMizer™ mark and you'll know you're getting the most from every energy dollar spent on foodservice equipment. www.energymizer.com



We are committed to protecting the environment and its resources. For up-to-date product data always view an electronic version on our web site.



MANITOWOC ICE
 2110 South 26th Street, P.O. Box 1720
 Manitowoc, WI 54221-1720, USA
 Ph: 920-682-0161 • Fax: 920-683-7589
 Visit us online at www.manitowocice.com

